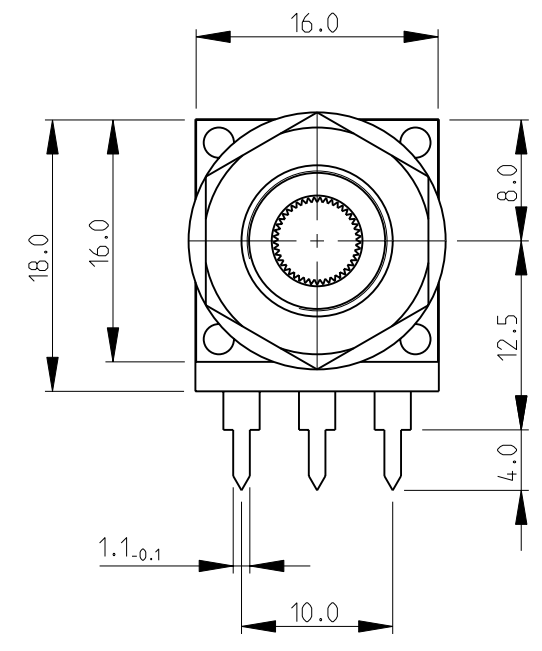
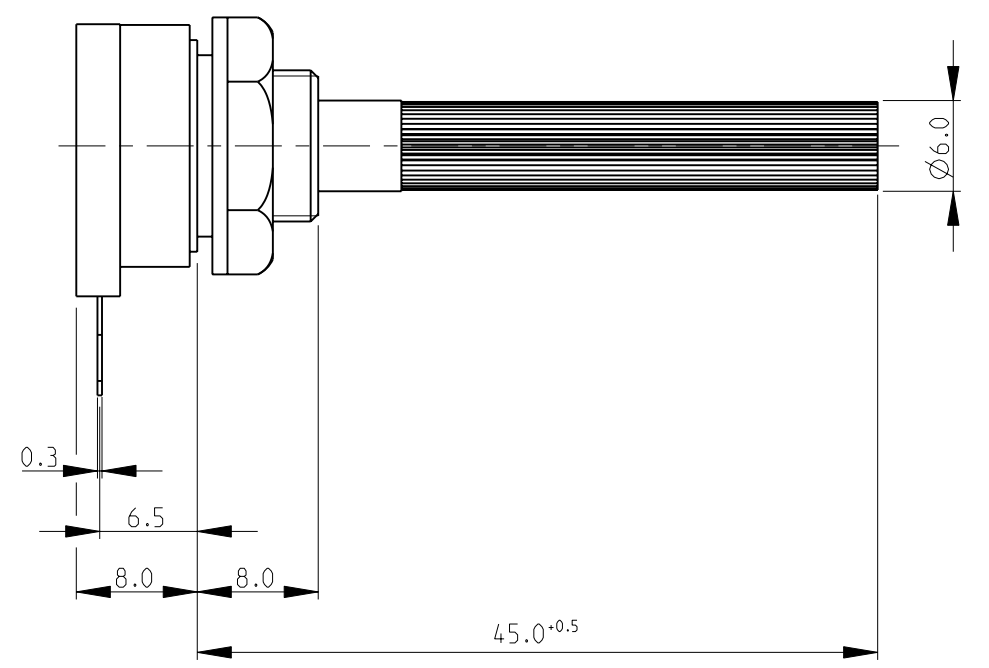


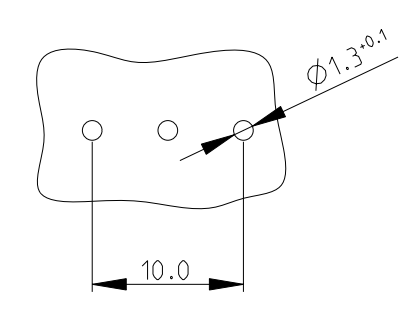
THIS DRAWING IS UNPUBLISHED. RELEASED FOR PUBLICATION 2008  
 © COPYRIGHT 2008 BY - ALL RIGHTS RESERVED.

LOC		DIST		REVISIONS			
P	LTR	DESCRIPTION	DATE	DWN	APVD		
BA1		REVISED PER ECO-11-005150	28MAR2011	RK	HMR		

SERIES CP16SH10IP06\*

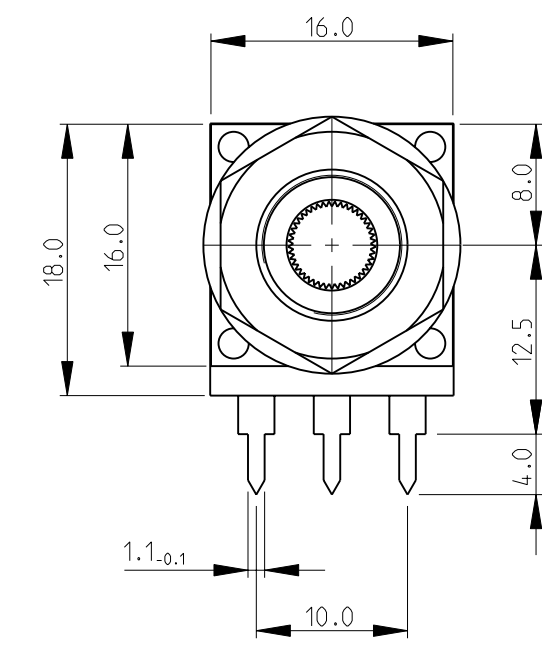
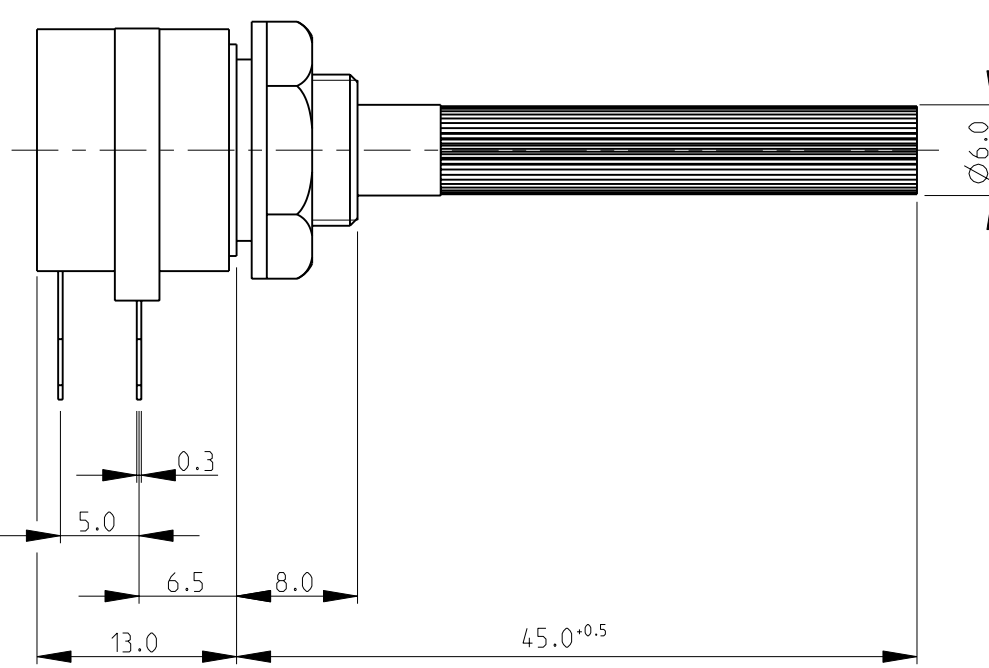


PCB LAYOUT PLAN

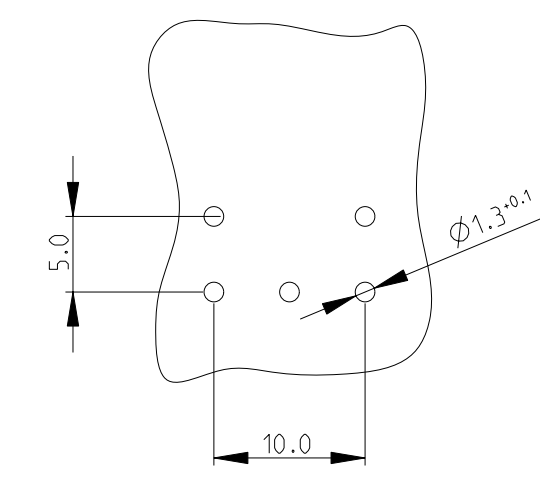


FOR FURTHER INFORMATION SEE DATA SHEET FOR SERIES CP16 - SPINDLE OPERATED POTENTIOMETERS

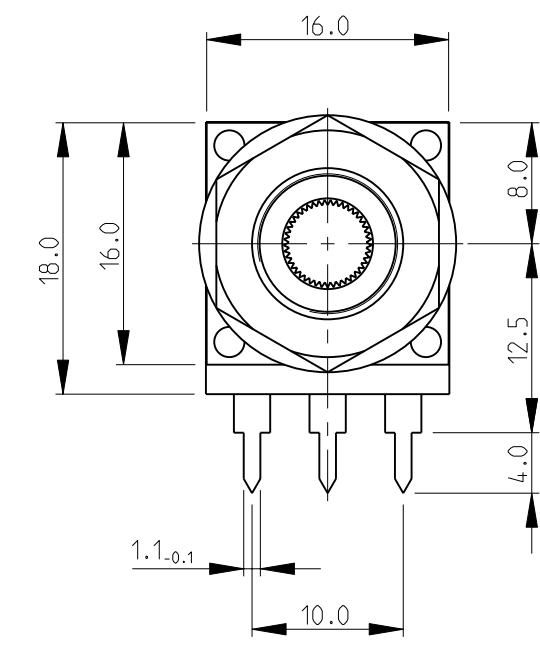
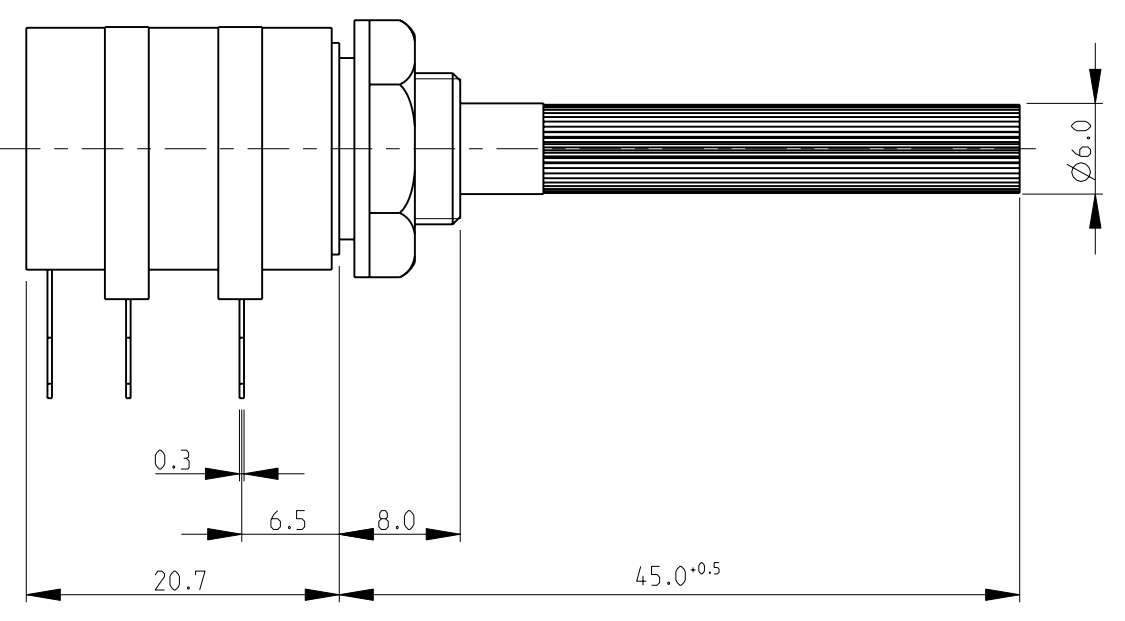
SERIES CP16SH10IP6\*....I



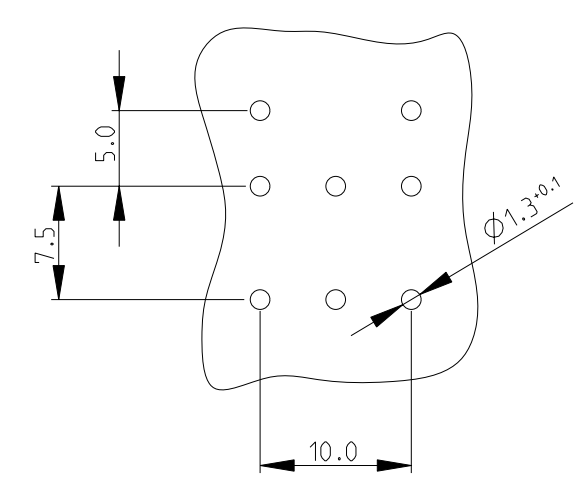
PCB LAYOUT PLAN



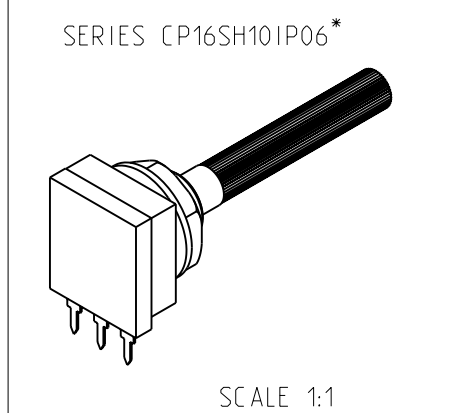
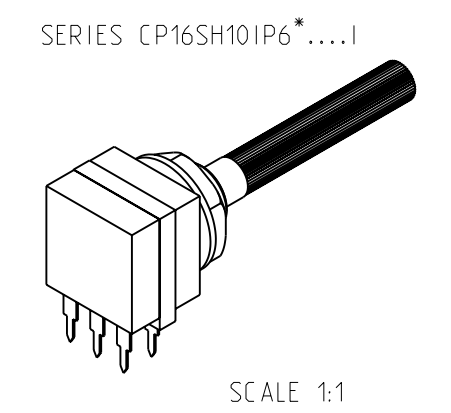
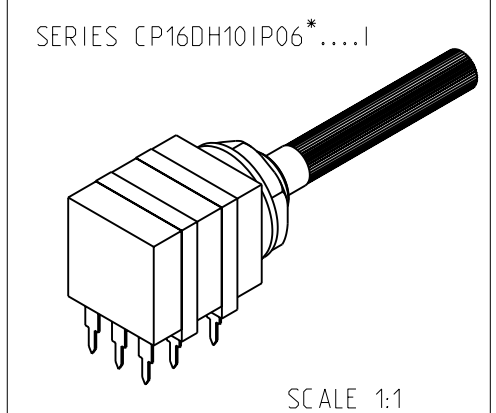
SERIES CP16DH10IP06\*....I



PCB LAYOUT PLAN



RoHS Compliant



THIS DRAWING IS A CONTROLLED DOCUMENT.		DWN SUBHASH.M 02-DEC-08	TE Connectivity	
		CHK PRAKASH.S 02-DEC-08		
		APVD STEPHEN.P 02-DEC-08	NAME SPINDLE OPERATED POTENTIOMETER SERIES CP16	
DIMENSIONS: mm		TOLERANCES UNLESS OTHERWISE SPECIFIED:		SIZE A2
		0 PLC ±0.2	CAGE CODE 00779	
		1 PLC ±0.1	DRAWING NO C-1676003	
		2 PLC ±-	RESTRICTED TO -	
		3 PLC ±-	SCALE 2:1	
		4 PLC ±-	SHEET 1 OF 1	
MATERIAL -		FINISH -	REV BA1	
		ANGLES ±5°		
		WEIGHT -		
		CUSTOMER DRAWING		